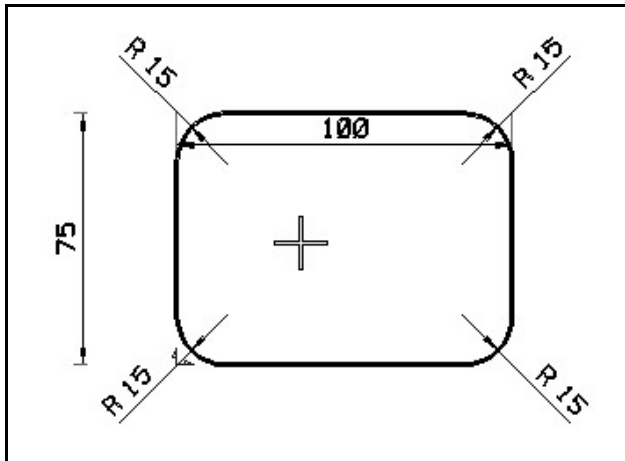
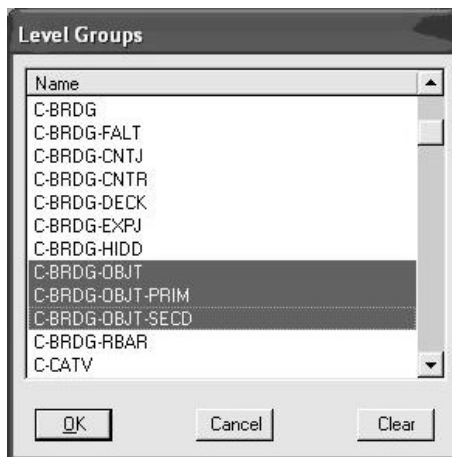


ControlAltDelete



MicroStation to Excel (Part 4)

Page 26



MicroStation Levels - Level Filters (Part 3)

Page 36

About The Front Cover

Image on the front cover was created by Arup. See page 30 of the 2nd Qtr 2004 issue of C-A-D for the "3D Model to Documentation" article on how the images were created.

For more information, please contact Steve Pennell by email: steve.pennell@arup.com.au or telephone: +61(0)2 9320 9353.

CAD

In This Issue

Having My Say.....	3
News.....	4
CAD/MicroStation Websites.....	11,21

Feature Articles

Help for CAD users moving to MicroStation	18
Place In Line and Clean Up.....	22
MicroStation to Excel (Part 4).....	26
MicroStation Levels - Level Filters (Part 3).....	36

Tips

Tips Corner.....	2, 8,35
Installing v8.....	5
Configuration Variable for Linestyles.....	5
Axiom's MicroStation Tips.....	12
Group Holes not Plotting in Sheet Models	14
Lorys' Collection of Tips.....	16
Key-in to Change Colour.....	17
Styles in Alphabetical Order.....	17
AccuDraw Toggle.....	18
Default to all files *.*.....	20
Showing Vertices on Complex Chains.....	20
Sizing Linked of Excel File.....	20
PDF Composer: Output Line weights.....	20
Dimension Override.....	21
Fonts in Numerical Order.....	25
Disassociate a Dimension.....	28
Border Files.....	34
Creating a Dimension with No Dimension Lines	36
Compress multiple design files.....	39
Text Style Indicators.....	39
Key-in for Coordinate Readout Accuracy.	39
Smartmatch line spacing of a note with leader	40
Place Cell then Rotate On-the-fly.....	40
v7 Key-in in v8.....	40
Batch Print: Border.....	40