



Description

The 4.34 (ASSD) adjustable stream splitter is designed for use on large duct take offs in industrial or relatively low cost commercial systems.

The stream splitter damper has a screw adjustment through the face of the grille or diffuser. Standard finish is matt black over galvanised steel.

Ordering Procedure

Using the chart below, select your requirements and substitute the underscored text below.

ASSD..X..Y

Example: If your requirement is for a 200mm x 400mm damper, the ordering code would be: **ASSD..08..16**. (When ordering it is not necessary to include the periods (..)).

Specials sizes are available. Contact your nearest Bradflo office.

Product Size Numbers											
"Type"	"X" Size	"Y" Size								Colour	
		06 (150)	08 (200)	09 (225)	10 (250)	12 (300)	15 (375)	16 (400)			
ASSD	06 (150)										Black
	08 (200)										
	09 (225)										
	10 (250)										
	12 (300)										
	15 (375)										
	18 (450)										
	24 (600)										
Special											

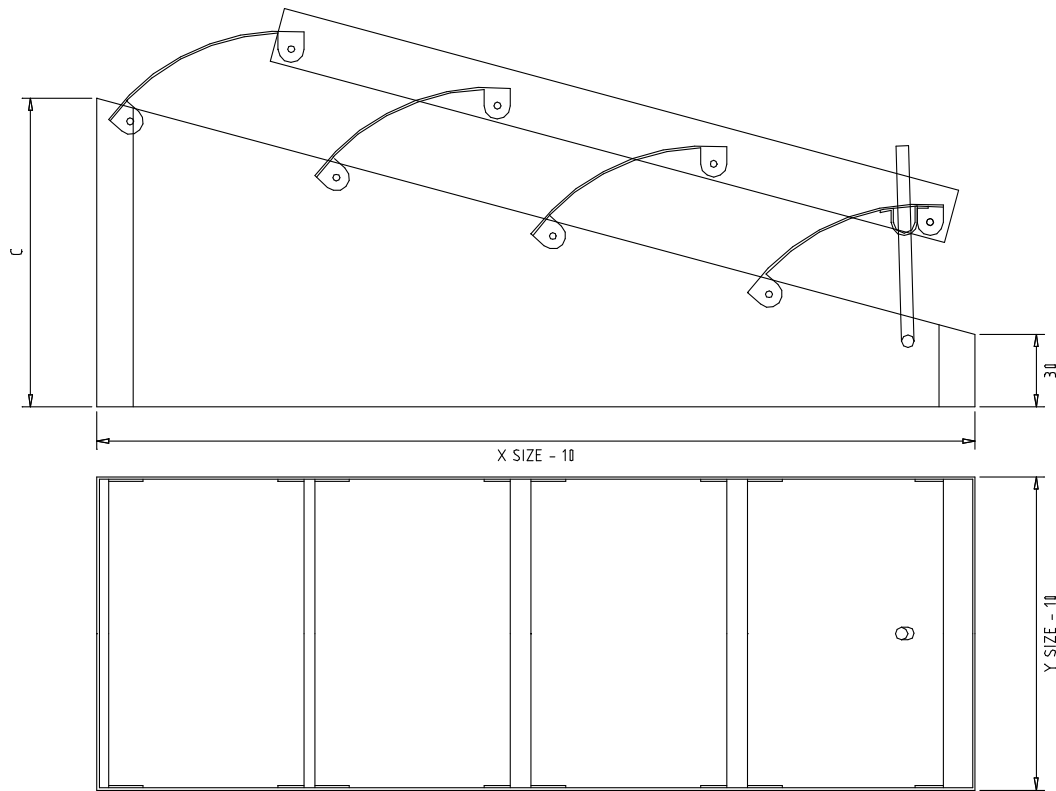
4.34

ASSD

ADJUSTABLE STREAM SPLITTER



Design dimensions



Note! $C = (X \times 0.258) + 30$