

Description

The 3.11 plenum box is for use with grilles and diffusers. The plenum is manufactured from galvanised steel.

Ordering procedure

Using the chart below, select your requirement and substitute the underscored text **ADC..X..Y..D**

Example: If your requirement is for a 375 mm square plenum with a 200 mm dia. inlet, the ordering code would be: **ADC151508**

Other sizes are available upon request. Please contact your nearest Bradflo office.

Product Size Numbers												
"Type"	"X" Size	"Y" Size										Inlet Dia. "D"
		06 (150)	08 (200)	09 (225)	10 (250)	12 (300)	15 (375)	16 (400)	18 (450)	24 (600)		
ADC	06 (150)											06 (150)
	08 (200)											08 (200)
	09 (225)											10 (250)
	10 (250)											12 (300)
	12 (300)											
	15 (375)											
	16 (400)											
	18 (450)											
Special sizes	24 (600)											

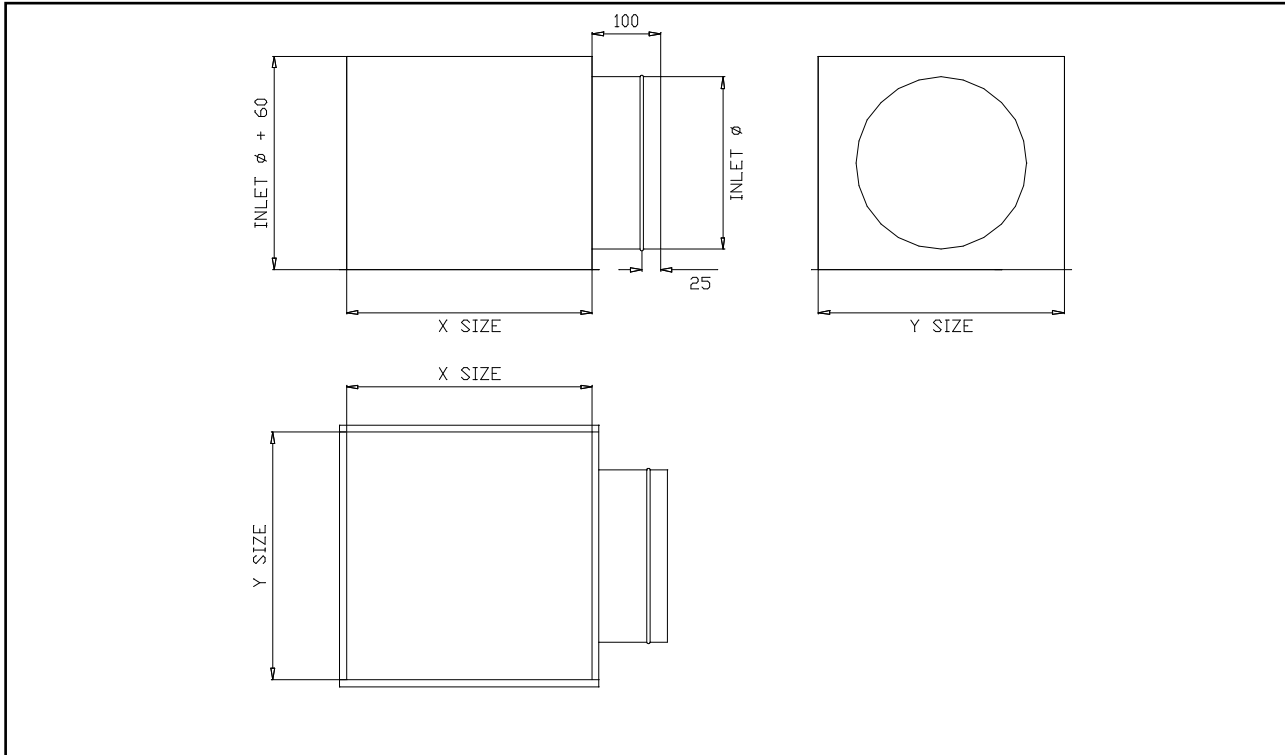
3.11

ADC

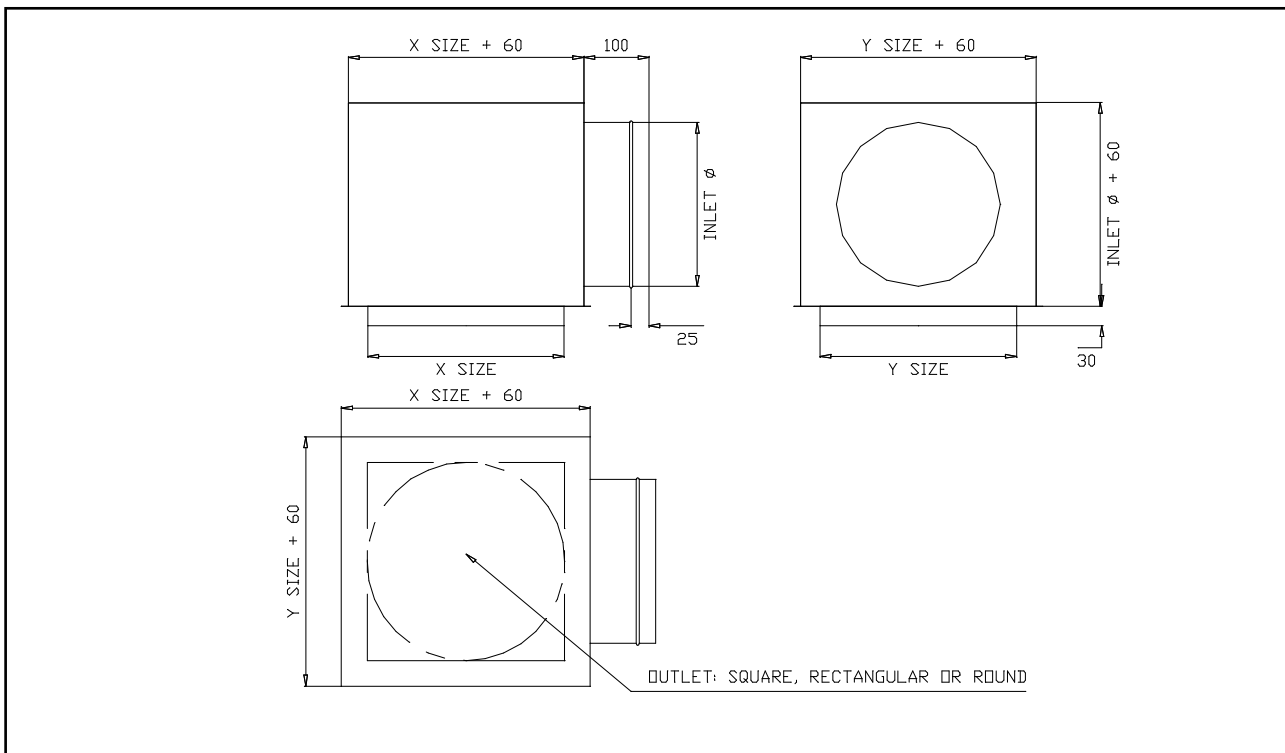
PLENUM BOX



Design dimensions



Inlet larger than the outlet



Inlet smaller than the outlet